



Features:

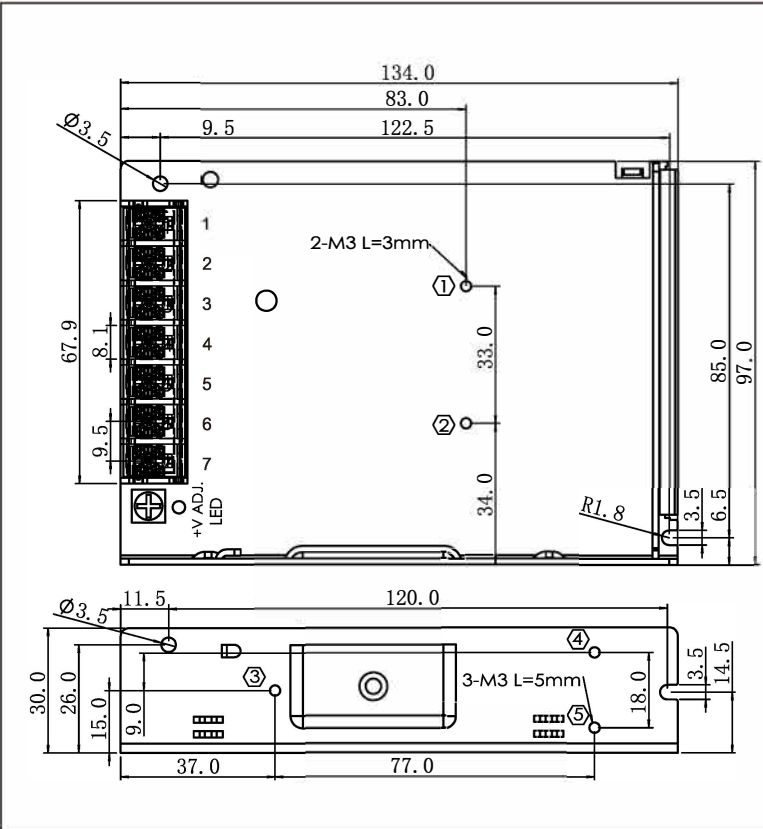
- AC input range selectable by switch
- Protections: Short circuit / Overload / Over voltage / Over temperature
- Withstand 300VAC surge input for 5 second
- No load power consumption<0.5W
- Cooling by free air convection
- 100% full load burn-in test
- LED indicator for power on
- High reliability
- 3 years warranty
- Compliance to IEC/EN/UL 62368-1

Specification

MODEL		LS-150-5	LS-150-7.5	LS-150-12	LS-150-15	LS-150-24	LS-150-36	LS-150-48
INPUT	VOLTAGE RANGE	90~132Vac/180~264Vac(by switch) 240~370Vdc(Switch on 230Vac) (refer to 'static characteristic')						
	FREQUENCY RANGE	47~63Hz						
	EFFICIENCY(Typ.)	87%	87%	87.5%	88%	90%	90%	91%
	AC CURRENT(Typ.)	3A/115Vac 1.7A/230Vac						
	INRUSH CURRENT(Typ.)	60A/115Vac 60A/230Vac (cold start)						
	LEAKAGE CURRENT	<1.2mA/240Vac						
OUTPUT	DC VOLTAGE	5V	7.5V	12V	15V	24V	36V	48V
	RATED CURRENT	22A	16A	12.5A	10A	6.5A	4.4A	3.3A
	CURRENT RANGE	0~22A	0~16A	0~12.5A	0~10A	0~6.5A	0~4.4A	0~3.3A
	RATED POWER	110W	120W	150W	150W	156W	158.4W	158.4W
	RIPPLE&NOISE (max.)	100mVp-p	150mVp-p	150mVp-p	200mVp-p	200mVp-p	200mVp-p	200mVp-p
	VOLTAGE ADJ.RANGE	4.5~5.5V	6.75~8.25V	10.2~13.8V	13.5~18V	21.6~28.8V	32.4~39.6V	43.2~52.8V
	VOLTAGE TOLERANCE	±1%	±1%	±1%	±1%	±1%	±1%	±1.0%
	LINE REGULATION	±0.5%	±0.5%	±0.5%	±0.5%	±0.5%	±0.5%	±0.5%
	LOAD REGULATION	±1%	±1%	±0.5%	±0.5%	±0.5%	±0.5%	±0.5%
	SETUP, RISE TIME	500ms,30ms/230Vac 500ms,30ms/115Vac						
	HOLD UP TIME(Typ.)	30ms/230Vac 30ms/115Vac						
PROTECTION	OVER LOAD	110%~140% rated output power Protection type: Constant current limiting (Vo>50% rated voltage), recovers automatically after fault condition is removed						
	OVER VOLTAGE	5.75~6.75V	10.4~12.5V	14.2~17V	18.2~22.5V	28.8~33.6V	40~46.5V	55.2~64.8V
	OVER TEMPERATURE	Protection type: Shutdown, recovers after repower on						
ENVIRONMENT	WORKING TEMP., HUMIDITY	-30~+70°C (Refer to "Derating curve") , 20~90%RH non-condensing						
	STORAGE TEMP., HUMIDITY	-40~+85°C, 10~95%RH						
	TEMP. COEFFICIENT	±0.03%/°C (0~50°C)						
	VIBRATION	10~500Hz, 5G 10min/1 cycle, each along X、Y、Z axes						

Safety and electromagnetic compatibility	Safety standards	Refer to UL62368-1,TUV EN62368-1,CCC GB4943.1			
	Withstand voltage and isolation resistance	I/P-O/P: 3KVac; 100MΩ / 500Vdc / 25°C / 70%RH			
		I/P-FG: 2KVac; 100MΩ / 500Vdc / 25°C / 70%RH			
		O/P-FG: 0.5KVac; 100MΩ / 500Vdc / 25°C / 70%RH			
	Electromagnetic	Parameter	Standard	Test Level / Note	
		Conducted emission	BS EN/EN55032(CISPR32),FCC PART 15 / CISPR22 ,GB9254.1	Class B	
		Radiated emission	BS EN/EN55032(CISPR32),FCC PART 15 / CISPR22 ,GB9254.1	Class B	
		Harmonic current	BS EN/EN61000-3-2,GB17625.1	Class A (≤75% load)	
		Voltage flicker	BS EN/EN61000-3-3	-----	
	Electromagnetic compatibility immunity	BS EN/EN55035			
		Parameter	Standard	Test Level /Note	
		ESD	BS EN/EN61000-4-2	Level 4, 8KV air, Level 2, 4KV contact, criteria A	
		RF field susceptibility	BS EN/EN61000-4-3	Level 3, criteria A	
EFT bursts		BS EN/EN61000-4-4	Level 3, criteria A		
Surge susceptibility		BS EN/EN61000-4-5	Level 3, 1KV/L-N, 2KV/L/N-FG criteria A		
Conducted susceptibility		BS EN/EN61000-4-6	Level 3, criteria A		
Magnetic field immunity		BS EN/EN61000-4-8	Level 4, criteria A		
Voltage dips and interruptions	BS EN/EN61000-4-11	>95% dip 0.5 periods, 30% dip 25 periods , >95% interruptions 250 periods			
OTHERS	MTBF	≥600Khrs MIL-HDBK-21 7F(25°C)			
	DIMENSION	134*97*30mm(L*W*H)			
	PACKING	0.4Kg; 36pcs/ 15.4Kg/ 0.97CUFT			
NOTE	<ol style="list-style-type: none"> 1. All parameters NOT specially mentioned are measured at 230VAC input, rated load and 25°C of ambient temperature. 2. Ripple & noise are measured at 20MHz of bandwidth by using a 12" twisted pair-wire terminated with a 0.1uF & 47uF parallel capacitor. 3. Tolerance: includes set up tolerance, line regulation and load regulation. 4. Line regulation is measured from low line to high line at rated load. 5. Load regulation is measured from 0% to 100% rated load 6. Length of set up time is measured at cold first start, Turning ON/OFF the power supply very quickly may lead to increase of the set up time. 7. The ambient temperature derating of 5°C/1000m is needed for operating altitude great than 2000m(6500ft). 8. The power supply is considered a component which will be installed into a final equipment. All the EMC tests are been executed by mounting the unit on a 360mm*360mm metal plate with 1mm of thickness. The final equipment must be re-confirmed that it still meets EMC directives. 				

Mechanical specification



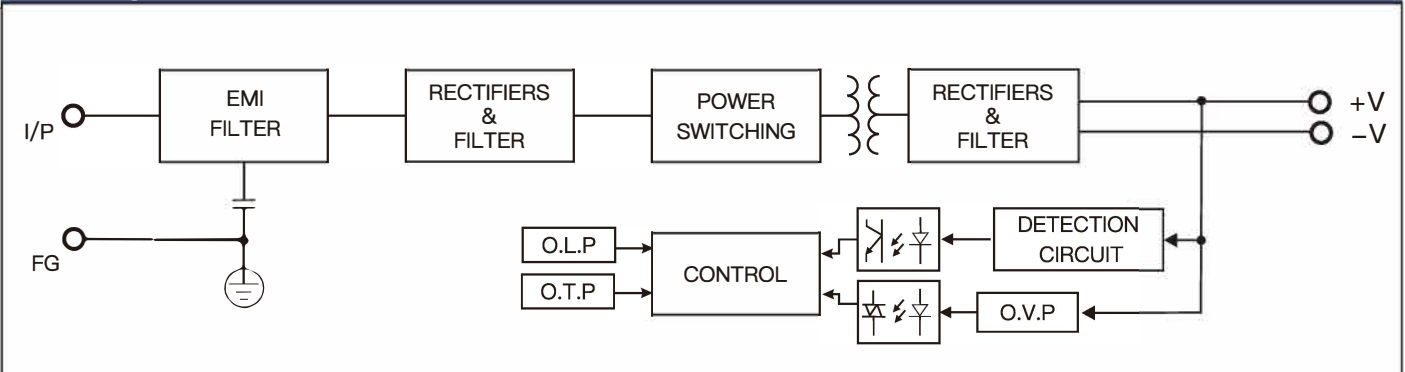
Customer plate
SMPS Cover

NOTE:
Unit: mm
ADJ: Output adjustable resistor
Torque: M3.5, 0.8N · m Max
TOL: ±1.00

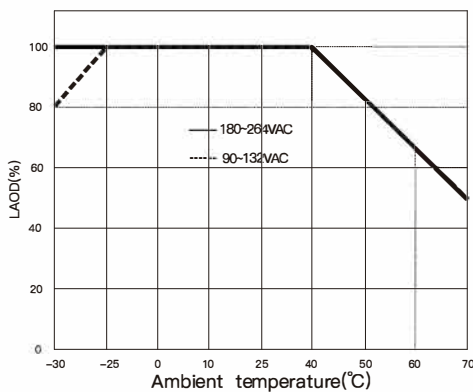
Position No.	Screw Size	L max	Torque max
1-2	M3	3mm	0.4N · m
3-5		5mm	

Screw Terminal			
Pin No.	Assignment	Pin No.	Assignment
1	AC/L	4,5	DC OUTPUT -
2	AC/N	6,7	DC OUTPUT +
3	FG		

Block diagram



Derating curve



Static characteristics

