

Typical Features

- ◆ Wide input voltage range: 85-305VAC
- ◆ Ensure the power supply module to meet the requirement of CISPR22/EN55032 Class B for EMI
- ◆ Operating temperature: -40℃~+85℃
- ◆ Meet CE, RoHS certification standards
- ◆ Small size, Industrial grade design
- ◆ PCB Mounting



Application Field

LC-30W1D series-----is a filter module provided by Aipu for customers, suitable for occasions sensitive to EMI noise. At the same time, it has a good suppression effect on surge. The maximum input voltage of the applied AC/DC module power supply should not be greater than the maximum working voltage of the filter, and the maximum input current should be less than the rated working current of the filter.

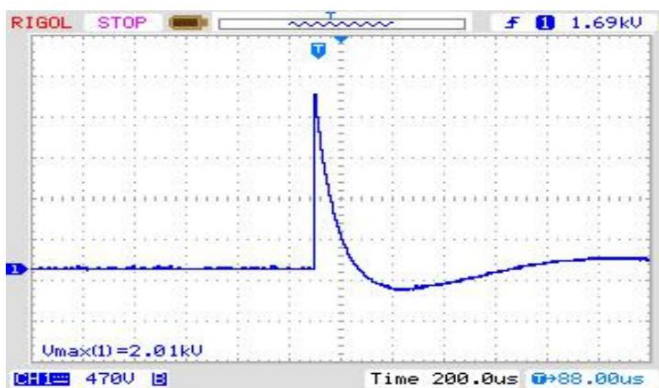
Typical Product List

Part No	Input voltage Range(VAC)	Rated Current (mA @ MAX)
LC-30W1D-1	85~305	1.0
LC-30W1D-2	85~305	1.0

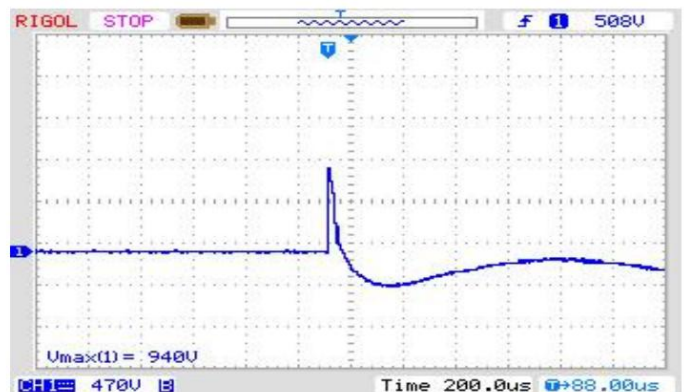
Input Specification

Item	Operating Condition	Min.	Typ.	Max.	Unit
Operating Temperature	--	-40	--	85	℃
Storage Temperature	--	-55	--	125	
Case temperature rise during operation	220VAC@0.5A	--	--	6	
	220VAC@1.0A	--	--	22	
Insulation Voltage Input- Ground	Test 1 min, leakage current: 5mA	--	2000	-	VAC

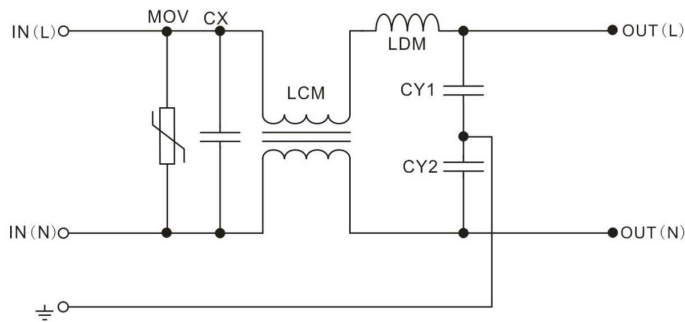
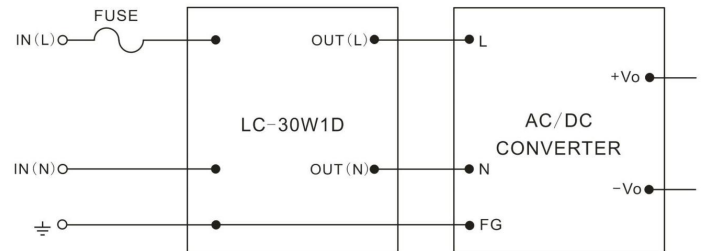
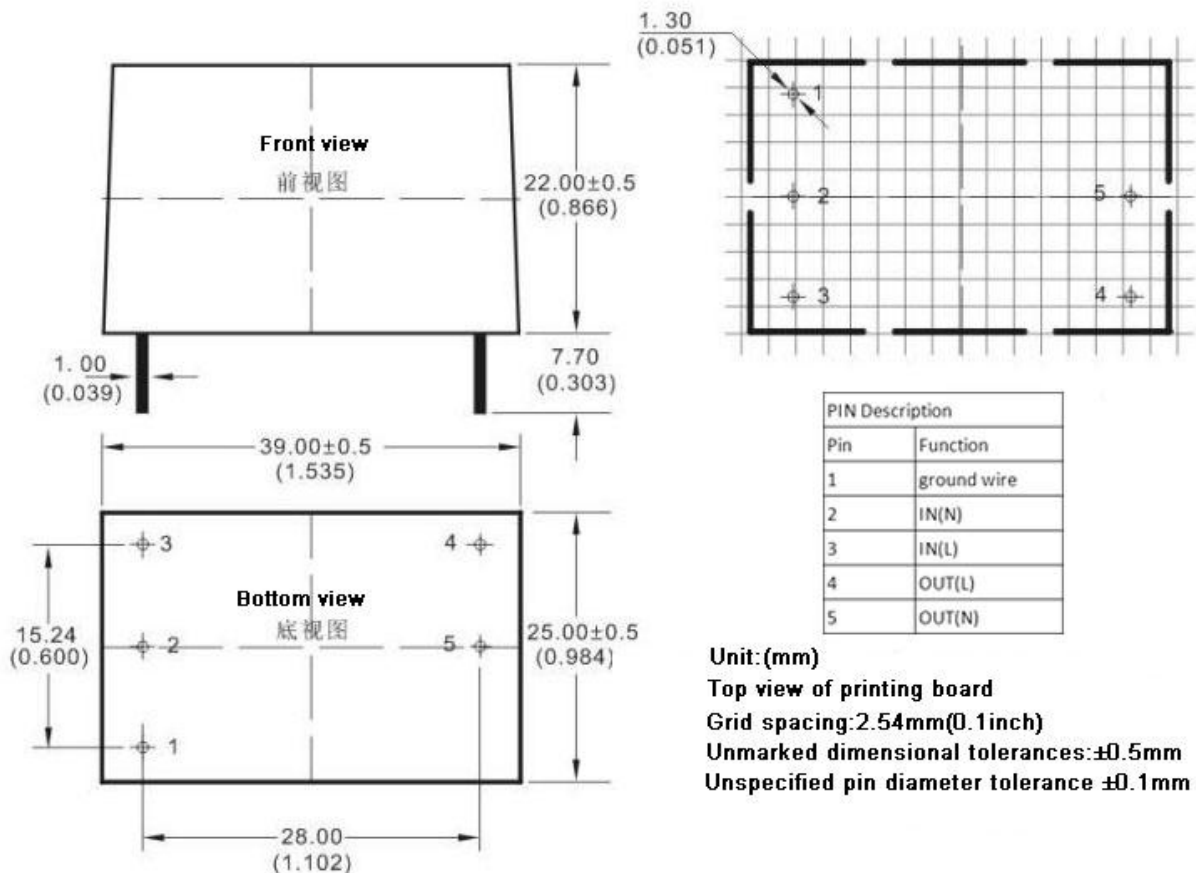
EMC Characteristic

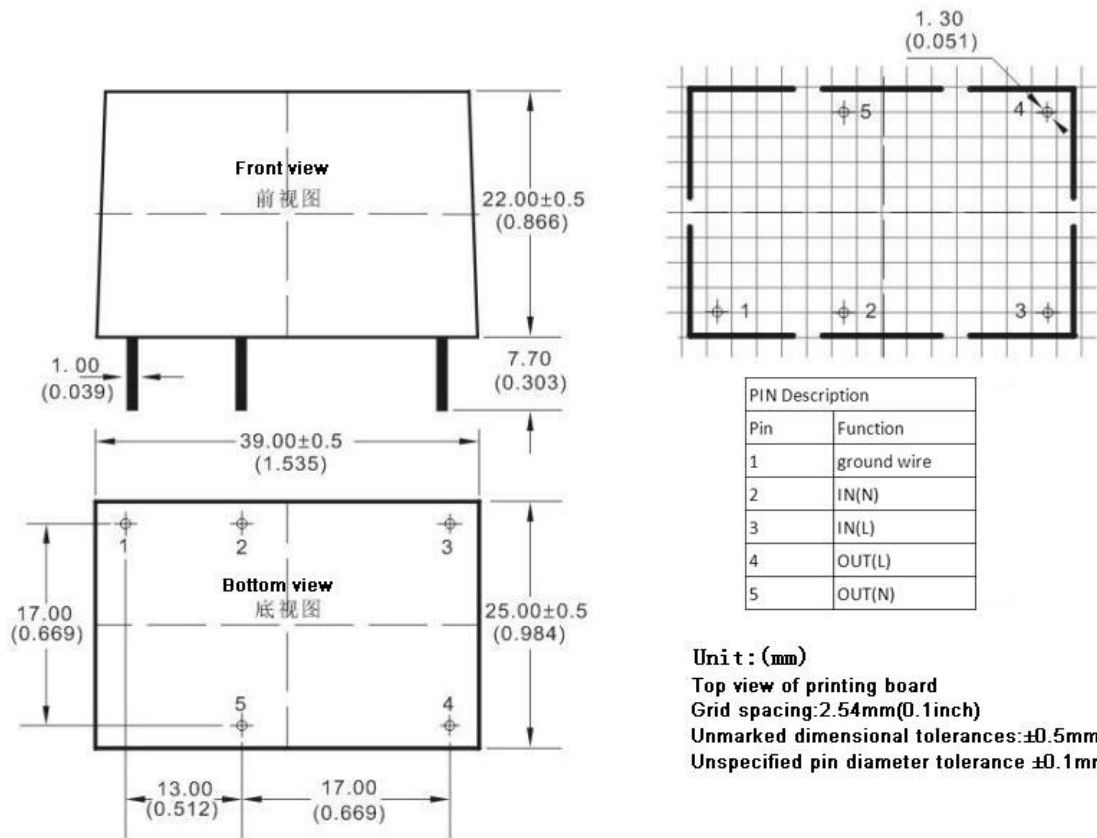


Input terminal voltage waveform (differential mode
2.01KV)



Output terminal voltage waveform (differential mode
0.94KV)

Design Reference
1. Internal schematic

2. Typical application circuit

Dimension
1. LC-30W1D-1 Appearance dimension, PCB board reference drawing



2. LC-30W1D-2 appearance dimension, PCB board reference drawing


Packing Code	L x W x H	
D	39 X25 X22mm	1.535X0.984X0.866inch