

**Typical Features**

- ◆ Wide input voltage range: 85-305VAC/120-430VDC
- ◆ No load power consumption ≤ 0.35W
- ◆ Transfer Efficiency 78%(TYP.)
- ◆ Switching Frequency: 65KHz
- ◆ Protections: short circuit, over current
- ◆ Isolation voltage: 3600Vac
- ◆ Meet IEC62368/UL62368/EN62368 test standard
- ◆ Ultra-small package for bare board, industrial design
- ◆ PCB mounting



**Application Field**

**DA10-220SXXG9N4 Series**----- a compact size, high efficient power module offered by Aipu. It features universal input voltage range, AC and DC dual-use, low ripple, low temperature rise, low power consumption, high efficiency, high reliability, safer isolation, good EMC performance. EMC and Safety standard meet international EN55032 ,IEC/EN61000. These series have important application for power, industry, instrument and smart home field. For harsh EMC environment, the application circuit in the datasheet is strongly recommended.

**Typical Product List**

Certificate	Part No.	Output Specifications			Max. Capacitive Load	Ripple& Noise 20MHz (Max)	Efficiency@ Full Load, 220Vac (Typical)
		Power	Voltage	Current			
		(W)	Vo(V)	Io(m A)			
-	*DA10-220S3V3G9N4	6.6	3.3	2000	800	100	75
-	DA10-220S05G9N4	10	5	2000	800	100	78
-	DA10-220S09G9N4	10	9	1111	400	120	80
-	DA10-220S12G9N4	10	12	833	300	120	82
-	DA10-220S12V5G9N4	10	12.5	800	300	120	82
-	*DA10-220S15G9N4	10	15	667	300	120	82
-	DA10-220S24G9N4	10	24	416	47	150	84

Note 1: Due to space limitations, above is only a part of our product list, please contact our sales team for more items.

Note 2: The typical value of output efficiency is based on module is full loaded and burned-in after half an hour.

Note 3: "\*" are models being developing.

Note 4: The fluctuation range of full load efficiency(% ,TYP) in table is ±2%, full load efficiency= output power/module's input power.

Note 5: Ripple & Noise is tested by twisted pair method, details please refer to Ripple & Noise test at back.

**Input Specifications**

Item	Operating Condition	Min	Typ.	Max	Unit
Input Voltage Range	AC input	85	220	305	VAC



	DC input	120	310	430	VDC
Input Frequency range	-	47	50	63	Hz
Input Current	115VAC	/	/	0.20	A
	220VAC	/	/	0.15	
Surge Current	115VAC	/	/	20	
	220VAC	/	/	35	
Leakage Current	-	0.25mA TYP/230VAC/50Hz			
Recommended External Input Fuse	-	1A-3A/250VAC slow fusing			
Hot Plug	-	Unavailable			
Remote Control Terminal	-	Unavailable			

**Output Specifications**

Item	Operating Condition		Min	Typ.	Max	Unit
Voltage Accuracy	Full input voltage range, 10-100% load (0%-10% load, could work if output stable)	Vo	-	±2.0	±6.0	%
Line Regulation	Nominal load	Vo	-	±1.0	±3.0	%
Load Regulation	Nominal input voltage, 20%~100% load	Vo	-	±1.0	±5.0	%
No Load Consumption	Input 115VAC		-	-	0.35	W
	Input 220VAC		-	-		
Minimum Load	Single Output		10	-	-	%
Start up Delay Time	Nominal input voltage (full load)		-	1000	-	mS
Power-off Holding Time	Input 115VAC (full load)		-	50	-	mS
	Input 220VAC (full load)		-	80	-	
Dynamic Response	Overshoot range	25%~50%~25%	-5.0	-	+5.0	%
	Recovery time	50%~75%~50%	-5.0	-	+5.0	mS
Output Overshoot	Full input voltage range		≤10%Vo			%
Short circuit Protection			Continuous, self-recovery			Hiccup
Temperature Drift	-		-	±0.03%	-	%/°C
Over Current Protection	Input 220VAC		≥110% Io, self-recovery			Hiccup

**General Specifications**

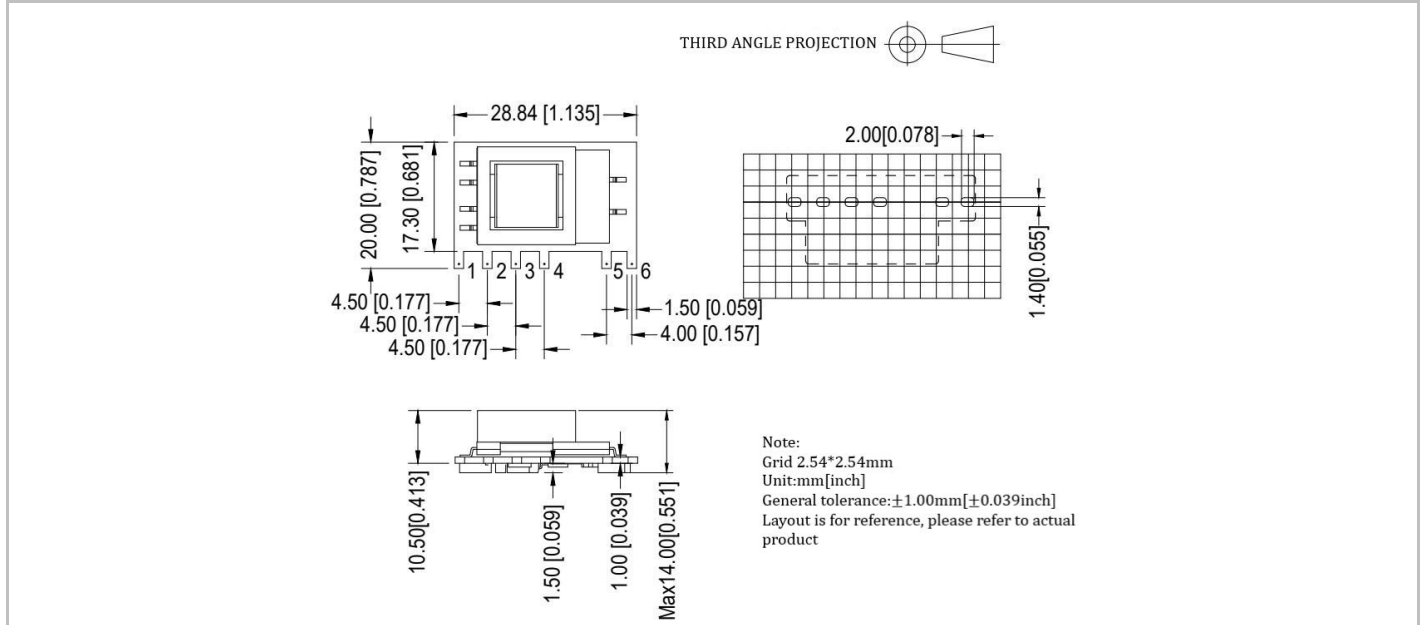
Item	Operating Condition	Min	Typ.	Max	Unit
Switching Frequency	-	-	65	-	KHz
Operating Temperature	-	-20	-	+85	°C
Storage Temperature	-	-40	-	+105	

Soldering Temperature		Wave soldering	260±4℃, time 5-10S			
		Manual soldering	360±8℃, time 4-7S			
Relative Humidity		-	10	-	90	%RH
Isolation Voltage	Input-Output	Test 1min, leakage current≤5mA	3600	-	-	VAC
Insulation Resistance	Input-Output	@ DC500V	100	-	-	MΩ
Safety Standard		-	EN62368、IEC62368			
Vibration		-	10-55Hz,10G,30Min,alongX,Y,Z			
Safety Standard		-	CLASS II			
MTBF		-	MIL-HDBK-217F @25℃ > 300,000H			

**EMC Characteristics**

Total Item	Sub Item	Test Standard	Class
EMC	EMI	CE	CISPR22/EN55032 CLASS B (See Recommended Circuit on photo 2)
		RE	CISPR22/EN55032 CLASS B (See Recommended Circuit on photo 2)
	EMS	RS	IEC/EN61000-4-3 10V/m Perf.Criteria B (See Recommended Circuit on photo 1)
		CS	IEC/EN61000-4-6 10Vr.m.s Perf.Criteria B (See Recommended Circuit on photo 1)
		ESD	IEC/EN61000-4-2 Contact ±6KV / Air ±8KV Perf.Criteria B
		Surge	IEC/EN61000-4-5 ±1KV Perf.Criteria B
		EFT	IEC/EN61000-4-4 ±2KV Perf.Criteria B
		Voltage dips and interruptions	IEC/EN61000-4-11 0%~70% Perf.Criteria B

**Dimension**



Packing Code	L x W x H	
-	28.84 x 20.0 x 14.0 mm	1.135 x 0.787 x 0.551 inch

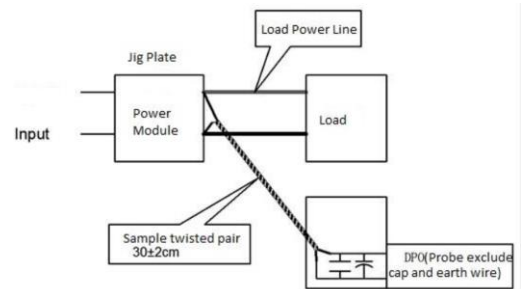
**Pin Specification**

Pin	1	2	3	4	5	6
Single(S)	AC(L)	AC(N)	+Vc	-Vc	-Vo	+Vo

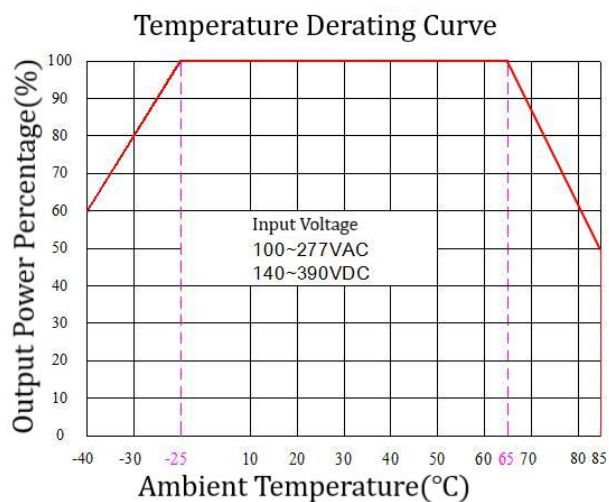
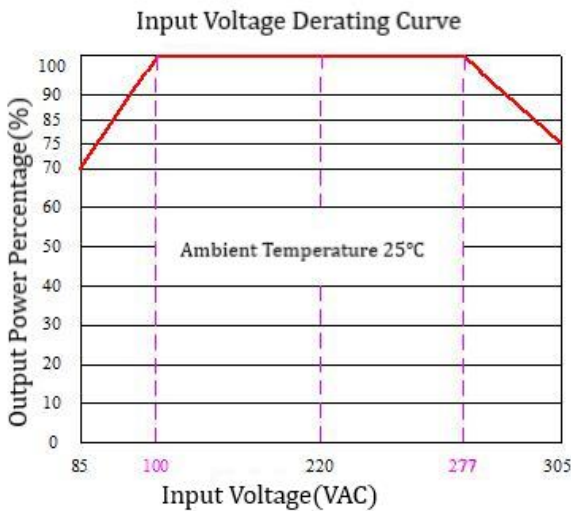
**Ripple & Noise Test: (Twisted Pair Method 20MHZ bandwidth)**

Test Method:

- (1) 12# twisted pair to connect, Oscilloscope bandwidth set as 20MHz, 100M bandwidth probe, terminated with 0.1uF polypropylene capacitor and 10uF high frequency low resistance electrolytic capacitor in parallel, oscilloscope set as Sample pattern.
- (2) Input terminal connect to power supply, output terminal connect to electronic load through jig plate, Use 30cm±2 cm sampling line, Power line selected from corresponding diameter wire with insulation according to the flow of output current.



**Product Characteristic Curve**

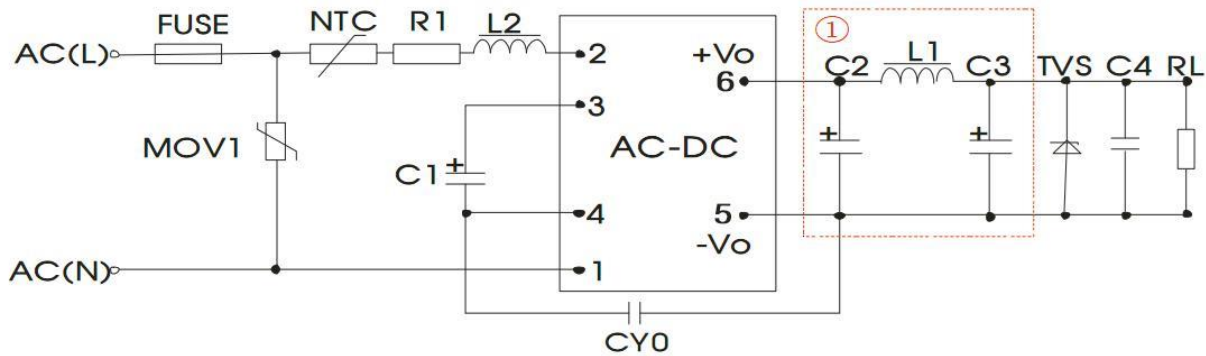


Note 1: Input Voltage should be derated based on Input voltage derating curve when it is 85~100VAC/277~305VAC/120~140VDC/390~430VDC.

Note 2: Our product is suitable to use under natural air cooling environment, if use it under closed condition, please contact with us.

**Typical Application Circuit and EMC Recommended Circuit**

**1. Typical Application Circuit**



**Photo 1**

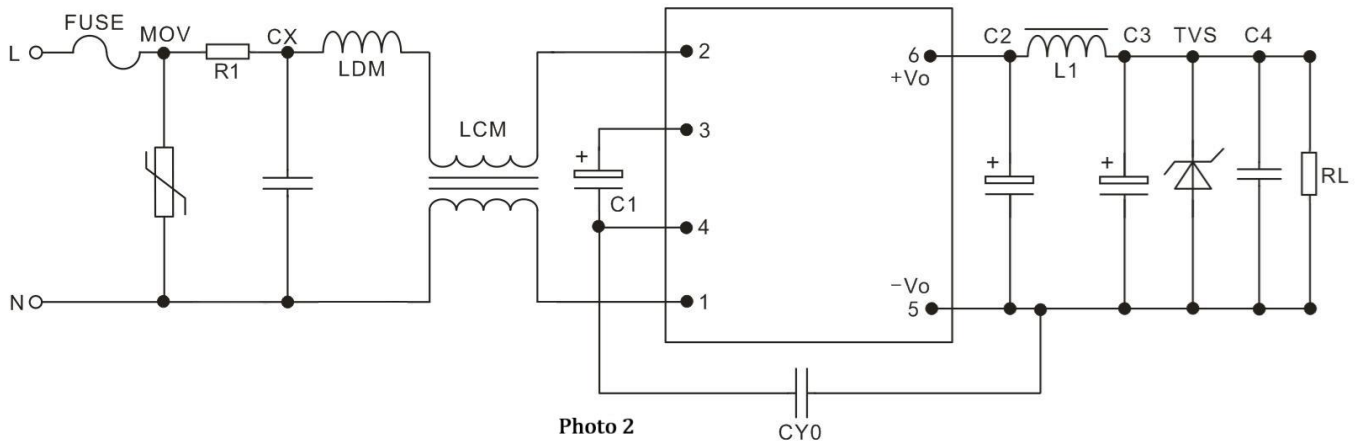
Note: ① as Pi filter circuit

Products Number	C1 (Necessary)	C2 (Necessary to connect the external solid-state capacitor)	L1 (Necessary)	C3 (Necessary to connect the external solid-state capacitor)	C4	L2	NTC	CY0	FUSE (Necessary)	TVS Tube
DA10-220S3V3G9N4	22uF /450V	820uF/10V	2.0uH	330uF/10V	0.1uF/ 50V	4.7m H	5D-9	1nF/ 400V	2A/ 250V	SMBJ7.0A
DA10-220S05G9N4		820uF/10V		330uF/10V						SMBJ7.0A
DA10-220S09G9N4		470uF/16V		100uF/16V						SMBJ20A
DA10-220S12G9N4		470uF/16V		100uF/16V						SMBJ20A
DA10-220S12V5G9N4		470uF/16V		100uF/16V						SMBJ20A
DA10-220S15G9N4		470uF/25V		100uF/25V						SMBJ20A
DA10-220S24G9N4		220uF/35V		47uF/35V						SMBJ30A

Note:

- C1: AC input, C1 is input filter electrolytic capacitor (necessary), recommended value is 22uF/450V;  
DC input, C1 is big filter capacitor in the EMC filter (necessary), recommended value is 22uF/450V;
- R1 is limited resistor, recommended value is 6.8Ω/3W;
- MOV1 is piezoresistor, recommended model is 14D561K;

**2. EMC recommended circuit (Used Under high EMC requirement)**



**Photo 2**



FUSE	Recommend 2A, 250V (Necessary)	CY0	1nF/400VAC
MOV	14D561K	LDM	330uH
CX	Recommended 0.1uF/310VAC	R1	winding resistor 6.8Ω/3W
LCM	1.2mH/MAX:2.5Ω/MIN:0.35A		

## Note 1:

1. The product should be used within the specification range, or it will cause permanent damage to it;
2. The input terminal should connect to fuse;
3. If the product is worked under the minimum requested load, the product performance cannot be guaranteed to comply with all parameters in the datasheet;
4. If the product is not operated within the required load range, the product performance cannot be guaranteed to comply with all parameters in the datasheet;
5. Unless otherwise specified, parameters in this datasheet were measured under the conditions of **Ta=25°C**, **humidity<75%** with nominal input voltage and rated output load(pure resistance load);
6. All index testing methods in this datasheet are based on our Company's corporate standards;
7. The performance indexes of the product models listed in this manual are as above, but some indexes of non-standard model products will exceed the above-mentioned requirements, please directly contact our technician for specific information;
8. We can provide product customization service,
9. Specifications are subject to change without prior notice, please follow up with our website for newest manual.