

**Typical Features**

- ◆ Wide input voltage range: 90-528VAC/100-745VDC
- ◆ No load power consumption ≤ 0.4W
- ◆ Transfer Efficiency (TYP. 75%)
- ◆ Switching Frequency: 65KHz
- ◆ Protections: short circuit, over current
- ◆ Isolation voltage: 3600Vac
- ◆ Safety Class: Class II
- ◆ Meet IEC62368/UL62368/EN62368 test standard



**Application Field**

**FA3-220SXXY2N3(-T)(-TS) Series**----- a compact size, high efficient, power module offered by Aipu. It features universal input voltage range, AC and DC dual-use, low ripple, low temperature rise, low power consumption, high efficiency, high reliability, safer isolation, good EMC performance. EMC and safety standard could meet international EN55032, IEC/EN61000 standard, This series have important application for power, industry, instrument and civil field.

**Typical Product List**

Certificate	Part No.	Output Specifications			Max. Capacitive Load	Ripple & Noise 20MHz (Max)	Efficiency@ Full Load, 220Vac (Typical)
		Power	Voltage1	Current1			
		(W)	Vo1(V)	Io1(m A)			
/	FA3-300S05Y2N3	3	5	600	5000	180 (external electrolytic capacitor needed)	70
	FA3-300S12Y2N3	3	12	250	600	120	72
	FA3-300S15Y2N3	3	15	200	600	120	73
	FA3-300S24Y2N3	3	24	125	300	150	75

Note 1: The typical value of output efficiency is based on module is full loaded and burned-in after half an hour.

Note 2: "\*" are models being developing.

Note 3: The fluctuation range of full load efficiency(%),TYP) in table is ±2%, full load efficiency= output power/module's input power.

Note 4: Ripple & Noise is tested by twisted pair method, for details please see(Ripple & Noise Test) at back. output capacitor per external circuit Photo 1 is needed.

Note 5: -T is chassis mounting, -TS is din-rail mounting, din-rail width 35mm.

**Input Specifications**

Item	Operating Condition	Min	Typ.	Max	Unit
Input Voltage Range	AC input	90	300	528	VAC
	DC input	100	424	745	VDC
Input Frequency range	-	47	50	63	Hz
Input Current	115VAC	/	/	0.08	A



	220VAC	/	/	0.04	
Surge Current	115VAC	/	/	10	
	220VAC	/	/	20	
Leakage Current	-	0.5mA TYP/230VAC/50Hz			
External Fuse Recommended	-	1A/250VAC slow fusing			
Hot Plug	-	unavailable			
Remote Control Terminal	-	unavailable			

**Output Specifications**

Item	Operating Condition	Min	Typ.	Max	Unit	
Voltage Accuracy	Full input voltage range, any load	-	±2.0	±3.0	%	
Line Regulation	Nominal load	-	-	±0.5	%	
Load Regulation	Nominal input voltage, 20%~100% load	-	-	±3.0	%	
No Load Consumption	Input 115VAC	-	-	0.4	W	
	Input 300VAC	-				
Minimum Load	Single Output	0	-	-	%	
Start up Delay Time	Nominal input voltage (full load)	-	1000	-	mS	
Power-off Holding Time	Input 115VAC (full load)	-	200	-	mS	
	Input 300VAC (full load)	-	100	-		
Dynamic Response	Overshoot range	25%~50%~25%	-5.0	-	+5.0	%
	Recovery time	50%~75%~50%	-	-	+5.0	mS
Output Overshoot	Full input voltage range	≤10%Vo			%	
Short circuit Protection		Continuous, self-recovery			Hiccup	
Temperature Drift	-	-	±0.03%	-	%/°C	
Over Current Protection	Input 300VAC	≥130% Io self-recovery			Hiccup	

**General Specifications**

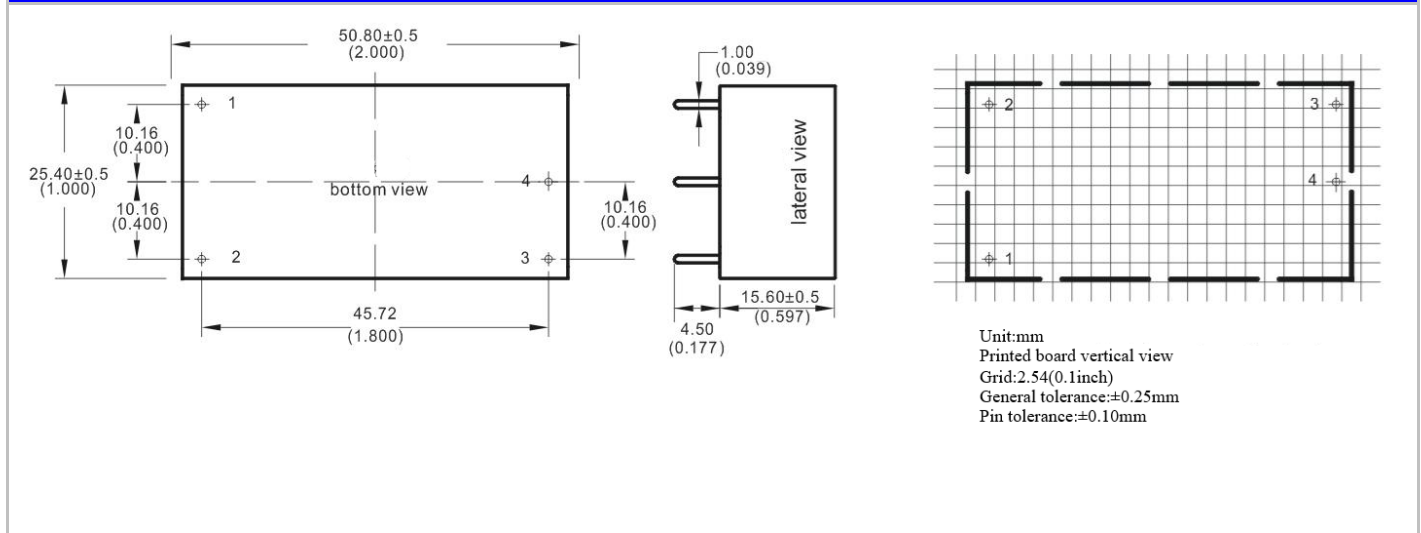
Item	Operating Condition	Min	Typ.	Max	Unit
Switching Frequency	-	-	65	-	KHz
Operating Temperature	-	-40	-	+75	°C
Storage Temperature	-	-40	-	+85	
Soldering Temperature	Wave soldering	260±4°C, time 5-10S			
	Manual soldering	360±8°C, time 4-7S			
Relative Humidity	-	10	-	90	%RH

Isolation Voltage	Input-Output, Test 1min, leakage current≤5Ma	3600	-	-	VAC
Insulation Resistance	Input-Output@ DC500V	100	-	-	MΩ
Safety Standard	-	EN62368, IEC62368			
Vibration	-	10-55Hz,10G,30Min,alongX,Y,Z			
Safety Class	-	CLASS II			
Class of Case Material	-	-			
MTBF	-	MIL-HDBK-217F@25°C > 300,000H			
Cooling Method	-	Free air convection			

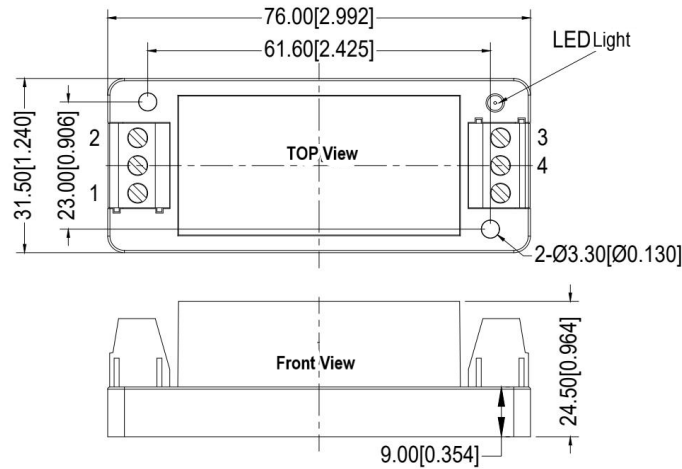
**EMC Characteristics**

Total Item		Sub Item	Test Standard	Class
EMC	EMI	CE	CISPR22/EN55032	CLASS B (see recommended circuit Photo 2)
		RE	CISPR22/EN55032	CLASS B (see recommended circuit Photo 2)
	EMS	RS	IEC/EN61000-4-3	10V/m Perf.Criteria B (see recommended circuit Photo 2)
		CS	IEC/EN61000-4-6	3Vr.m.s Perf.Criteria B (see recommended circuit Photo 2)
		ESD	IEC/EN61000-4-2	Contact ±6KV / Air ±8KV Perf.Criteria B
		Surge	IEC/EN61000-4-5	±2KV Perf.Criteria B (see recommended circuit Photo 2)
		EFT	IEC/EN61000-4-4	±2KV Perf.Criteria B
		Voltage dips, short interruptions and voltage variations immunity	IEC/EN61000-4-11	0%~70% Perf.Criteria B

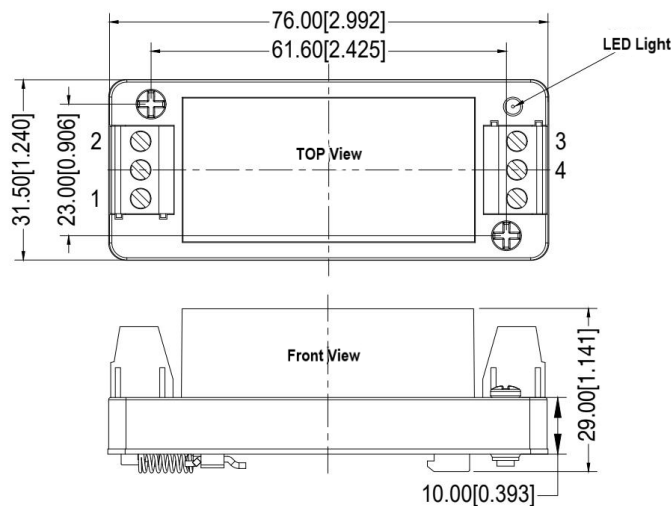
**Y2 Dimension**



**Y2-T Dimension**



**Y2-TS Dimension**



Packing Code	L x W x H	
Y2	50.8X25.4X15.6mm	2.000X1.000X0.614inch
Y2-T	76.0X31.5X24.5 mm	2.992X1.240X0.964inch
Y2-TS	76.0X31.5X29.0 mm	2.992X1.240X1.141inch

**Pin Specification**

Pin	1	2	3	4
Single(S)	AC(N)	AC(L)	+Vo	-Vo

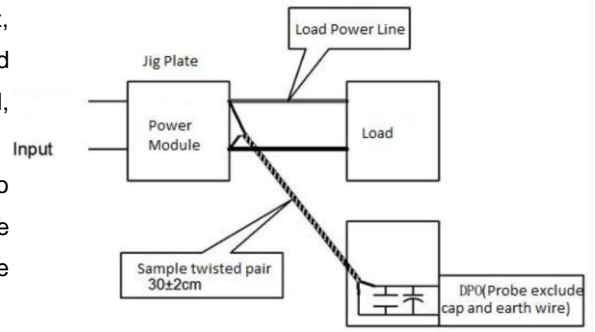
/

**Ripple & Noise Test: (Twisted Pair Method 20MHz bandwidth)**

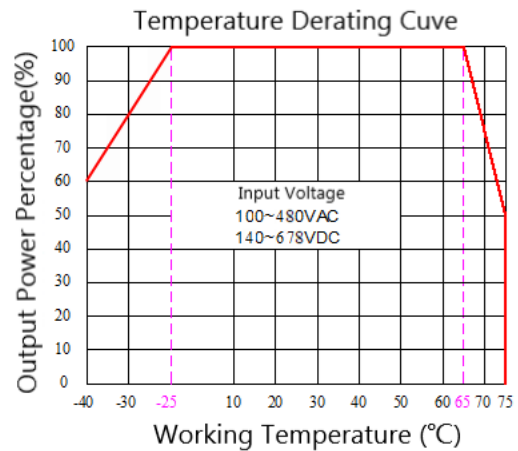
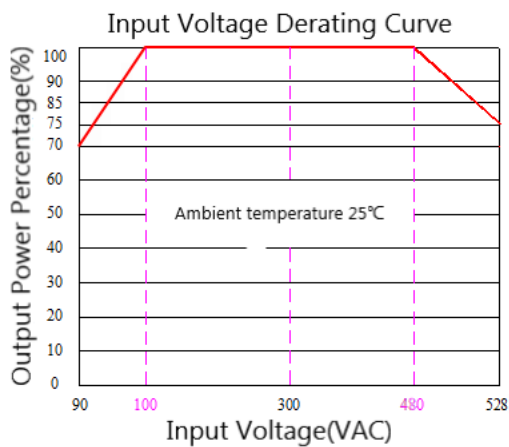
**Test Method:**

(1) 12# twisted pair to connect, Oscilloscope bandwidth set as 20MHz, 100M bandwidth probe, terminated with 0.1uF polypropylene capacitor and 10uF high frequency low resistance electrolytic capacitor in parallel, oscilloscope set as Sample pattern.

(2) Input terminal connect to power supply, output terminal connect to electronic load through jig plate, Use 30cm±2 cm sampling line, Power line selected from corresponding diameter wire with insulation according to the flow of output current.



**Product Characteristic Curve**



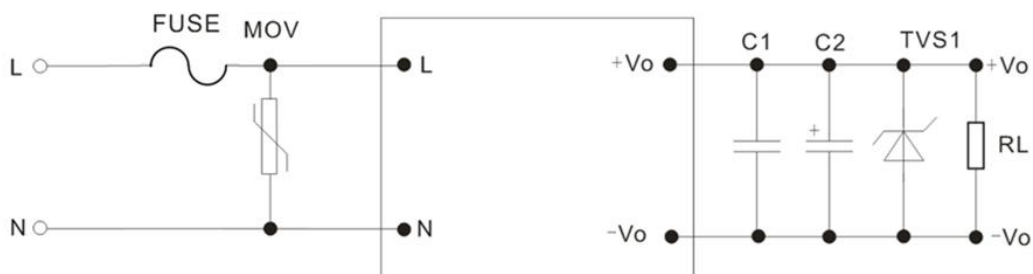
Note 1: Input Voltage should be derated based on Input voltage derating curve when it is 90~100VAC/480~528VAC/100~140VDC/678~745VDC.

Note 2: Our product is suitable to use under natural air cooling environment, if use it under closed condition, please contact with us.

**Typical EMC Application Circuit**

**External Application Circuit:**

Photo 1





Item	FUSE(necessary)	MOV	C1	C2	TVS tube
FA3-300S05Y2N3	1A/250V	10D951K	0.1uF/50V	47uF/16V(necessary)	SMBJ7.0A
FA3-300S12Y2N3				47uF/16V	SMBJ20A
FA3-300S15Y2N3				47uF/16V	SMBJ20A
FA3-300S24Y2N3				47uF/35V	SMBJ30A

EMC Application Circuit:

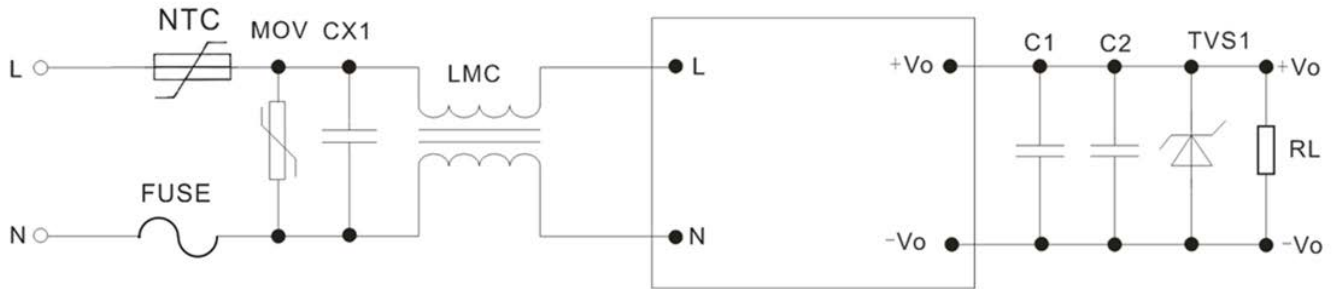


Photo 2

Note:

- 1) FUSE, recommended 2A~250Vac slow fusing, block shape;
  - 2) MOV is piezoresistor, recommend 10D951K;
  - 3) NTC is thermistor, recommend 10D-11, to protect post-circuit when lighting surging.
  - 4) LMC is common mode inductor, recommend 30mH;
  - 5) CX1 is X capacitor, recommend 0.22uF/275Vac;
  - 6) C1 to choose high frequency low resistance electrolytic capacitors, capacitance lower than capacitive load, withstand voltage is 1.5 times above output voltage.
  - 7) C2 choose 0.1uF ceramic chip capacitor, withstand voltage is 1.5 times above output voltage;
- TVS1 is TVS tube, 5V output:SMBJ7.0A, 9V output:SMBJ12.0A, 12V output: SMBJ20A, 15V output: SMBJ20.0A, 24V output: SMBJ30.0A, 48V output: SMBJ64A.

Note:

1. The product should be used within the specification range, or it will cause permanent damage to it;
2. The input terminal should connect to fuse;
3. If the product is worked under the minimum requested load, the product performance cannot be guaranteed to comply with all parameters in the datasheet;
4. If the product is not operated within the required load range, the product performance cannot be guaranteed to comply with all parameters in the datasheet;
5. Unless otherwise specified, parameters in this datasheet were measured under the conditions of **Ta=25°C**, **humidity<75%** with nominal input voltage and rated output load(pure resistance load);
6. All index testing methods in this datasheet are based on our Company's corporate standards;
7. The performance indexes of the product models listed in this manual are as above, but some indexes of non-standard model products will exceed the above-mentioned requirements, please directly contact our technician for specific information;
8. We can provide product customization service,
9. Specifications are subject to change without prior notice, please follow up with our website for newest manual.