



Product Typical Features

- ◆ Wide input voltage range (4:1), Output Power 6W
- ◆ Transfer Efficiency up to 85%
- ◆ Stand-by Power Consumption as low as 0.05W
- ◆ Output super-fast start up
- ◆ Continuous Short Circuit protection, Self-recovery
- ◆ Input under voltage, output over voltage, short circuit, over current protection
- ◆ Switching Frequency 250KHz
- ◆ Isolation Voltage: 2150Vac
- ◆ Operating Temperature: -40°C~+85°C
- ◆ Good EMI performance
- ◆ International standard pin-out



Test Condition: Unless otherwise specified, data in the datasheet should be tested under the conditions of inputting nominal voltage, pure resistance rated load and Ta=25°C.

Application Field

FD6-110SXXA3N4 is a newly designed DIP 1X1 packed, 6W output power, ultra wide input range 4:1, low stand-by power consumption, isolated regulated output DC-DC converter, could be widely used for industrial control, instrument, communication, power electricity, internet of things field.

Typical Product List

Part No	Input Voltage Range (VDC)		Output Voltage/Current (Vo/Io)		Input Current (mA) Nominal Voltage		Max. Capacitive Load uF	Ripple & Noise		Efficiency (%)@output full load, input nominal voltage	
	Nominal	Range	Voltage(VDC)	Current (mA) MAX./Min.	Full load typ.	No Load typ.		mVp-p		Min.	Typ.
								Typ.	Max.		
FD6-110S3V3A3N4	110	40-160	3.3	1818/0	70	1	6000	50	100	75	77
FD6-110S05A3N4	110	40-160	5	1200/0	67	1	6000	50	100	78	81
FD6-110S09A3N4	110	40-160	9	667/0	66	1	3000	50	100	80	82
FD6-110S12A3N4	110	40-160	12	500/0	65	1	2000	50	100	83	85
FD6-110S15A3N4	110	40-160	15	400/0	65	1	1000	50	100	83	85
FD6-110S24A3N4	110	40-160	24	250/0	64	1	500	50	100	84	86

1. “*” are models being developing;
2. Max capacitive load is, when the power supply is fully loaded, the max capacity could be connected to output, if exceed, the power supply cannot start-up;
3. To reduce no load power consumption and improve efficiency of light-load, IC will be flitter frequency under no-load and light-load operating, output cannot be no load, at least with 10% load or above 470uF high frequency low resistance electrolytic capacitor, otherwise the output ripple will rise;
4. Suffix "C" is with Control function.

Input Specification

Stand-by Consumption	0.05 W(TYP)		
Input Filter	π filter		
Input Under-Voltage Protection	34VDC Input		
CTRL*	Module turn-on	CTRL suspended or connect to TTL high level (2.5-12VDC)	
	Module turn-off	CTRL connect to GND or low level (0-1.2VDC)	
	Input current when switched off	5mA (TYP)	

Note: *The voltage of CTRL pin is relative to -Vin pin.

Output Specification

Output Voltage Accuracy	Full voltage full load	Vo	±2.0% (max)
Voltage Regulation	Nominal load, full voltage range	Vo	±0.5%
Load Regulation	10% ~ 100% nominal load	Vo	±1.0%
Ripple & Noise	Nominal load, nominal voltage Twisted Pair Method, 20M Hz bandwidth;	≤15% load,	5%Vo mVp-p typ
		≥15% load,	50mVp-p typ, 100mVp-p max
Output Over-voltage Protection	120%~200%Vo		
Output Over-load Protection	110%~220% Io		
Output Short circuit Protection	Continuous, Self-recovery		
Dynamic Response	25% nominal load step change	ΔVo/Δt	≤6%/500μ s
Output Voltage Adjustment	Not Available		
Turn-on delay time	Typical	30ms	
Output Voltage Set-up Time	Rated Input, satisfy output	2mS	
Output Turn-on Overshoot Voltage			≤10%Vo



General Specification

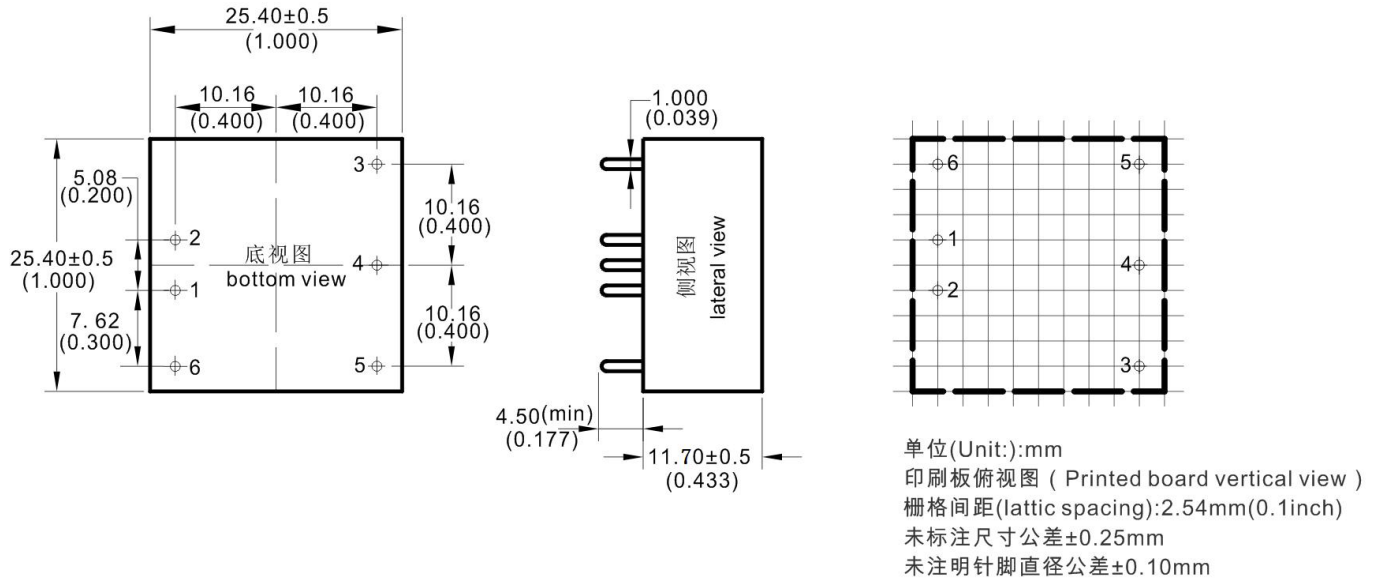
Switching Frequency	Typical	250KHz
Operating Temperature	Refer to Temperature Derating Curve	-40°C ~ +85°C
Storage Temperature		-55°C ~ +125°C
Max Case Temperature	Within Operating Curve	+105°C
Relative Humidity	No condensing	5%~95%
Case Material		Aluminum Metal Case
Cooling Method		Free air convection
Isolation Voltage	Input to Output	2100Vac ≤ 5mA / 1min
Meantime Between Failure	MIL-HDBK-217F@25°C	2X10 ⁵ Hrs
Product Weight	Average	15g

EMC Characteristics

Total Items		Sub Items	Test Standard	Class		
EMC	EMI	CE	CISPR22/EN55032	CLASS B	(see recommended circuit photo ②)	
		RE	CISPR22/EN55032	CLASS B	(see recommended circuit photo ②)	
	EMS	RS	IEC/EN61000-4-3	10V/m	Perf.Criteria B	(see recommended circuit photo 2)
		CS	IEC/EN61000-4-6	3Vr.m.s	Perf.Criteria B	(see recommended circuit photo 2)
		ESD	IEC/EN61000-4-2	Contact ±4KV	Perf.Criteria B	
		Surge	IEC/EN61000-4-5	±2KV	Perf.Criteria B	(see recommended circuit photo 1)
		EFT	IEC/EN61000-4-4	±2KV	Perf.Criteria B	(see recommended circuit photo 1)
		Voltage dips, short interruptions and voltage variations	IEC/EN61000-4-11	0%~70%	Perf.Criteria B	



Packing Dimension



Packing Code	L x W x H	
A3	25.4X 25.4X11.7 mm	1X1 X0.433inch

Pin out Specifications

Single (S)	1	2	3	4	5	6
	-Vin	+Vin	+Vout	NP	GND	CTRL
Dual (D)	1	2	3	4	5	6
	-Vin	+Vin	+Vout	COM	-Vout	CTRL

Note: If the definition of pin is not in accordance with the model selection manual, please refer to the label on actual item.

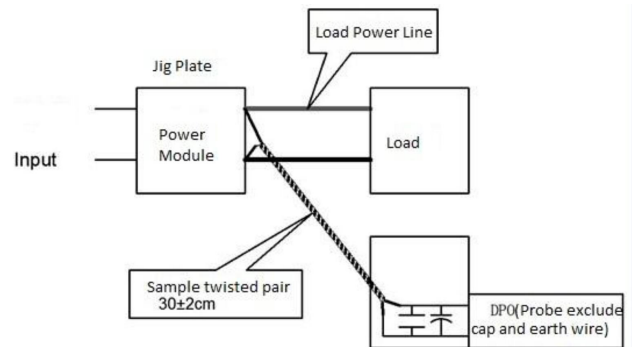


Ripple & Noise Test: (Twisted Pair Method 20MHz bandwidth)

Test Method:

a. 12# twisted pair to connect, Oscilloscope bandwidth set as 20MHz, 100M bandwidth probe, terminated with 0.1uF polypropylene capacitor and 10uF high frequency low resistance electrolytic capacitor in parallel, oscilloscope set as Sample pattern.

b. Input terminal connect to power supply, output terminal connect to electronic load through jig plate, Use 30cm±2 cm sampling line, Power line selected from corresponding diameter wire with insulation according to the flow of output current.



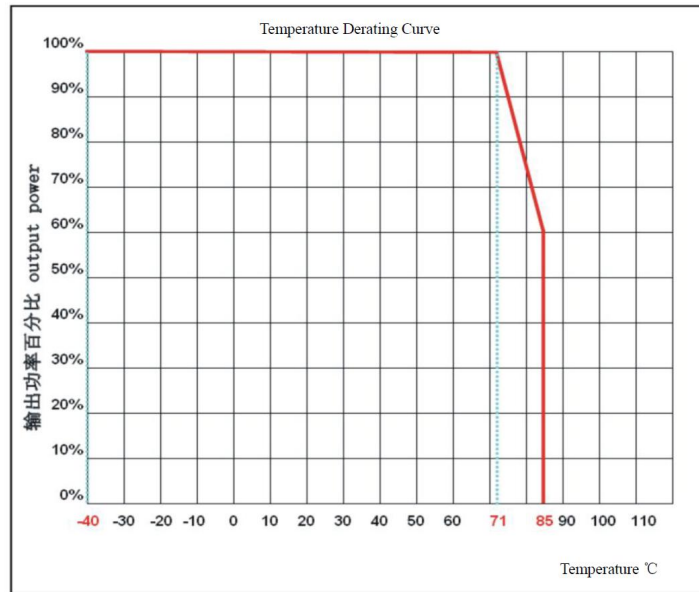
Application Reference:

1. The recommended minimum load is 10% or above 470uF high frequency low resistance electrolytic capacitor, or output ripple will rise;
2. Recommend the unbalance loads of dual output to be $\leq \pm 5\%$;
3. The maximum capacitive load is tested under pure resistance and full load condition;
4. Our company could provide whole power supply solution, or customized made items; Due to space limitation, please contact our team for more information.

/



Product Characteristic Curve

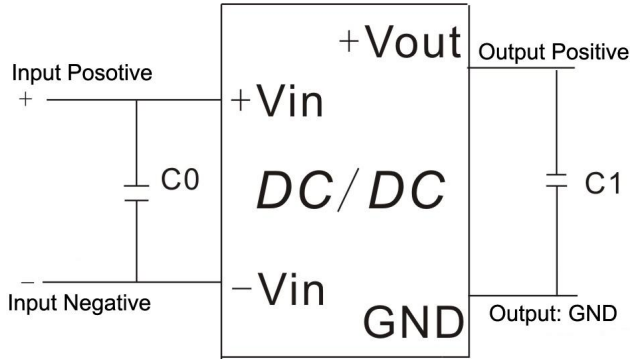


Design Application

Recommended circuit

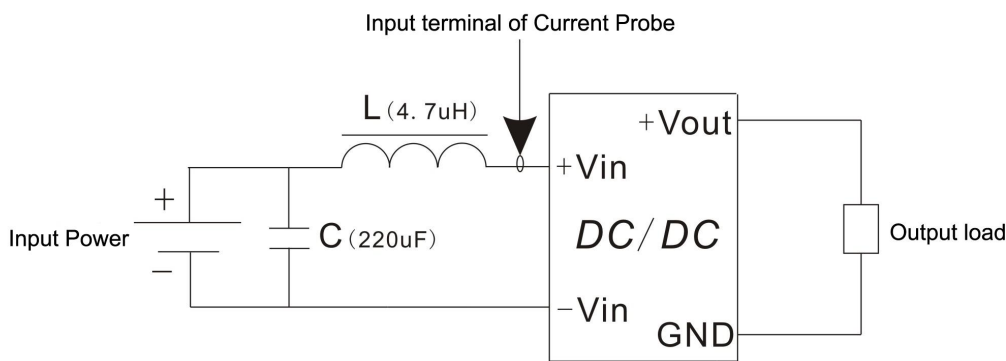
DC/DC test circuit:

Normal recommended capacitors: C0:47-100uF; C1: 470uF.

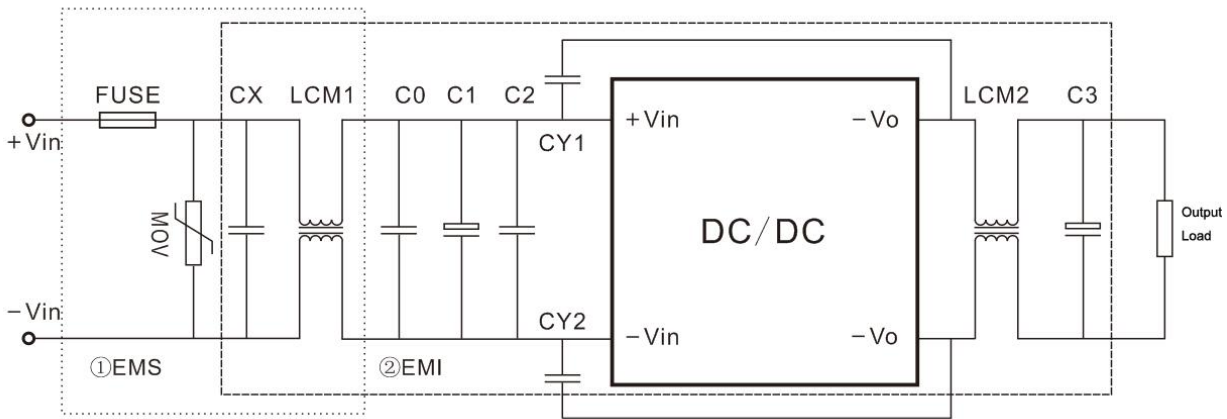


2. Input reflecting ripple current test circuit:

Capacitor C choose low ESR ones, withstand voltage value should be bigger than max input voltage;



3. EMC external recommended circuit:



Recommended Spec:

Component	110V Input
FUSE	According to customer's request
MOV	14D201K
CX	0.47 uF
LCM1	10mH
C0	1uF/250V
C1	100uF/200V
C2	1uF/250V
LCM2	30uH
C3	47uF/50V
CY1,CY2	2.2nF/2000V

Note:

1. The product should be used under the specification range, otherwise it will cause permanent damage to it.
2. If the product worked beyond the load range or below the minimum load, we cannot ensure that the performance of product is in accordance with all the indexes in this manual;
3. Unless otherwise specified, data in this datasheet should be tested under conditions of $T_a=25^{\circ}\text{C}$, humidity<75% when inputting nominal voltage and outputting rated load(pure resistance load);
4. All index testing methods in this datasheet are based on our Company's corporate standards
5. The performance indexes of the product models listed in this manual are as above, but some indexes of non-standard model products will exceed the above-mentioned requirements, and please directly contact our technician for specific information;
6. We can provide customized product service;
7. The product specification may be changed at any time without prior notice.